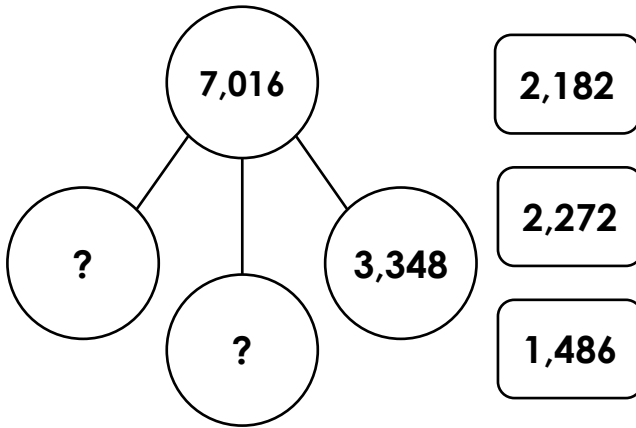


Multi-Step Problems

1. Use the cards to complete the part-whole model.



VF

4. Ash is organising his monster trading cards. He has 9,009 cards in total.

Box A has 2,813 cards. Box C has 1,525 more cards than box A.

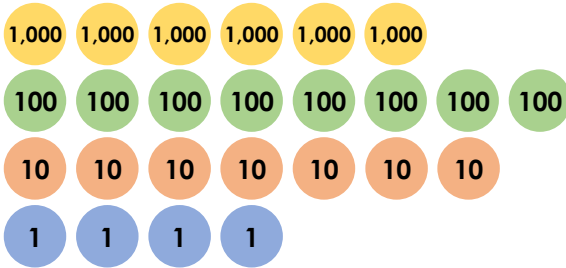


How many cards are in box B?

PS

2. Bruce is thinking of a number.

After he adds 4,029 and subtracts 2,956, his number is 6,874.



Which number did he start with?

VF

5. A shop selling video games needs to make £8,799 in a month.

They sell enough games to make £2,765 in the first week.

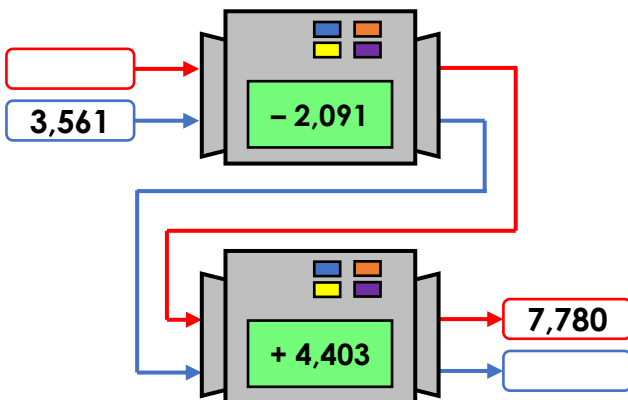
They make £1,499 less in the second week.

In the third week, they make £1,200 more than what they make in the second week.

Did the shop reach its sales target?

PS

3. Look at the functions on the machines. Work out what is going in and out of the machine and find the missing numbers.



VF

6. On Monday, Sophia and her dog walked 1,854m. On Tuesday, they walked 1,400m. On Friday they walked 2,054m.

Her sister Anna says,



If you walked the same distance each day on Tuesday, Wednesday and Thursday, you will have walked 8,000m in total.

Is Anna correct? Explain why.

PS

Multi-Step Problems

1. 2,182 and 1,486
2. 5,801
3. In: 5,468; out: 5,873
4. 4,338
5. Week 1: £2,765; Week 2: £1,266; Week 3: £2,466. The shop did not manage to reach its sales target as it only made £6,497 ($£2,765 + £1,266 + £2,466$).
6. Anna is incorrect because $1,854 + 1,400 + 1,400 + 1,400 + 2,054 = 8,108$. Sophia and her dog walked 8,108m in total.